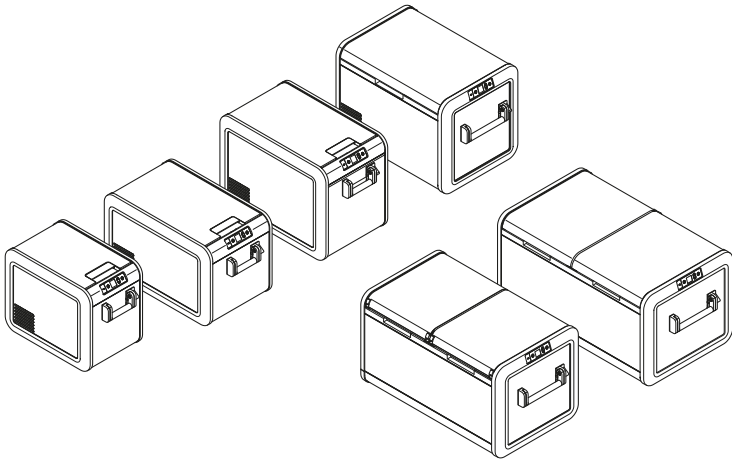




# MOBILE COOLING

## CFX5



CFX5 25, CFX5 35, CFX5 45, CFX5 55, CFX5 55IM, CFX5 75DZ, CFX5 95DZ

<b>EN</b>	<b>Portable fridge</b>	
	Operating Manual.....	3

## Notices

Copyright.....	2
Trademark Bluetooth®.....	2

### Copyright

© 2026 Dometic Group. The visual appearance of the contents of this manual is protected by copyright and design law. The underlying technical design and the products contained herein may be protected by design, patent or pending patent. The trademarks mentioned in this manual belong to Dometic Sweden AB. All rights are reserved.

### Trademark Bluetooth®

The Bluetooth® word mark and logos are registered trademarks owned by Bluetooth SIG, Inc. and any use of such marks by Dometic is under license.

## English

1	Important notes.....	3
2	Explanation of symbols.....	3
3	Safety instructions.....	4
4	Explanation of symbols on the device.....	5
5	Scope of delivery.....	6
6	Accessories.....	6
7	Intended use.....	7
8	Technical description.....	7
9	Before first use.....	10
10	Operation.....	13
11	Cleaning and maintenance.....	26
12	Troubleshooting.....	27
13	Warranty.....	29
14	Disposal.....	30
15	Technical data.....	30

## 1 Important notes

Please read these instructions carefully and follow all instructions, guidelines, and warnings included in this product manual in order to ensure that you install, use, and maintain the product properly at all times. These instructions **MUST** stay with this product.

By using the product, you hereby confirm that you have read all instructions, guidelines, and warnings carefully and that you understand and agree to abide by the terms and conditions as set forth herein. You agree to use this product only for the intended purpose and application and in accordance with the instructions, guidelines, and warnings as set forth in this product manual as well as in accordance with all applicable laws and regulations. A failure to read and follow the instructions and warnings set forth herein may result in an injury to yourself and others, damage to your product or damage to other property in the vicinity. This product manual, including the instructions, guidelines, and warnings, and related documentation, may be subject to changes and updates. For up-to-date product information, please visit [documents.dometic.com](http://documents.dometic.com).

## 2 Explanation of symbols

A signal word will identify safety messages and property damage messages, and also will indicate the degree or level of hazard seriousness.



### **DANGER!**

> Indicates a hazardous situation that, if not avoided, will result in death or serious injury.



### **WARNING!**

> Indicates a hazardous situation that, if not avoided, could result in death or serious injury.



### **CAUTION!**

> Indicates a hazardous situation that, if not avoided, could result in minor or moderate injury.



### **NOTICE!**

> Indicates a situation that, if not avoided, could result in property damage.



**NOTE** Supplementary information for operating the product.

### 3 Safety instructions



#### **DANGER! Electrocutation hazard**

- > On boats: If the device is powered by the mains, ensure that the power supply has a residual current device (RCD), a residual current circuit breaker (RCCB), or a ground fault circuit interrupter (GFCI). Installation, especially in potentially damp areas, must be in accordance with all applicable installation regulations.
- > Do not touch exposed cables with your bare hands. This applies especially when operating the device from the AC mains.
- > Before starting the device, ensure that the power cable and the plug are dry.



#### **WARNING! Explosion hazard**

- > Do not store any explosive substances such as spray cans with a flammable propellant in the cooling device.



#### **WARNING! Electrocutation hazard**

- > Do not operate the cooling device if it is visibly damaged.
- > If the cooling device's power cable is damaged, it must be replaced with a suitable power cable or assembly available from the manufacturer or its service agent to prevent safety hazard.
- > This cooling device may only be repaired by qualified personnel. Improper repairs can lead to considerable hazards.
- > Plug the device to sockets that ensure proper connection especially when the device needs to be earthed.



#### **WARNING! Fire hazard**

- > When positioning the cooling device, ensure that the supply cord is not trapped or damaged.
- > Do not locate multiple portable socket-outlets or portable power supplies at the rear of the device.
- > In the event of any damage to the refrigerant circuit:
  - Keep open flames and potential ignition sources away from the cooling device.
  - Ventilate the room well.
  - Switch off the cooling device.
- > For cooling devices with flammable refrigerant: The refrigeration circuit contains a small quantity of an environmentally friendly but flammable refrigerant. It does not damage the ozone layer and does not increase the greenhouse effect. Any leaking refrigerant may ignite.
- > Keep the ventilation openings on the device housing or in installations free of obstructions.
- > Do not use any mechanical objects or other means to speed up the defrosting process, unless they have been recommended by the manufacturer for this purpose.
- > Do not open or damage the refrigerant circuit.
- > Do not use electrical devices inside the cooling device unless they are recommended by the manufacturer for that purpose.



#### **WARNING! Health hazard**

- > This cooling device is not intended for use by persons (including children) with reduced physical, sensory or mental capabilities, or lack of experience and knowledge, unless they have been given supervision or instruction concerning use of the cooling device by a person responsible for their safety.
- > Children must be supervised to ensure that they do not play with the device.
- > Cleaning and user maintenance must not be carried out by unsupervised children.

**CAUTION! Electrocuting hazard**

- > Before starting the cooling device, ensure that the power cable and the plug are dry.
- > Disconnect the cooling device from the power supply
  - Before each cleaning and maintenance
  - After every use

**CAUTION! Health hazard**

- > To avoid contamination of food, observe the following instructions:
  - Check if the cooling capacity of the cooling device is suitable for storing the food to be cooled.
  - Food may only be stored in its original packaging or in suitable containers.
  - Opening the cooling device for long periods of time can cause significant increase of the temperature in the compartments of the device.
  - Clean regularly surfaces that can come in contact with food and accessible drainage systems.
- > If the cooling device is left empty for long periods:
  - Switch off the cooling device.
  - Defrost the cooling device.
  - Clean and dry the cooling device.
  - Leave the lid open to prevent mold from developing within the cooling device.

**NOTICE! Damage hazard**

- > Check that the voltage specification on the data plate corresponds to that of the energy supply.
- > Only connect the cooling device as follows:
  - With the DC connection cable to a DC power supply in the vehicle
  - With the AC connection cable to an AC power supply
- > Never pull the plug out of the socket by the cable.
- > If the cooling device is connected to a DC outlet, disconnect the cooling device and other power consuming devices from the battery before connecting a quick charging device.
- > If the cooling device is connected to a DC outlet, disconnect the cooling device or switch it off when turning off the engine. Otherwise the battery may be discharged.
- > The cooling device is not suitable for transporting caustic materials or materials containing solvents.
- > The insulation of the cooling device contains flammable cyclopentane and requires special disposal procedures. Deliver the cooling device at the end of its life-cycle to an appropriate recycling center.
- > Do not place the cooling device near open flames or other heat sources (heaters, direct sunlight, gas ovens, etc.).
- > **Risk of overheating!** Ensure at all times that there is a minimum of 50 mm ventilation on all sides of the cooling device. Keep the ventilation area free of any objects that could obstruct the air flow to the cooling components. Do not use or store the cooling device in closed compartments or areas with none or minimal air flow.
- > Do not fill the inner container with ice or fluids.
- > Never immerse the cooling device in water.
- > Protect the cooling device and cables against heat and moisture.
- > The cooling device shall not be exposed to rain.

## 4 Explanation of symbols on the device

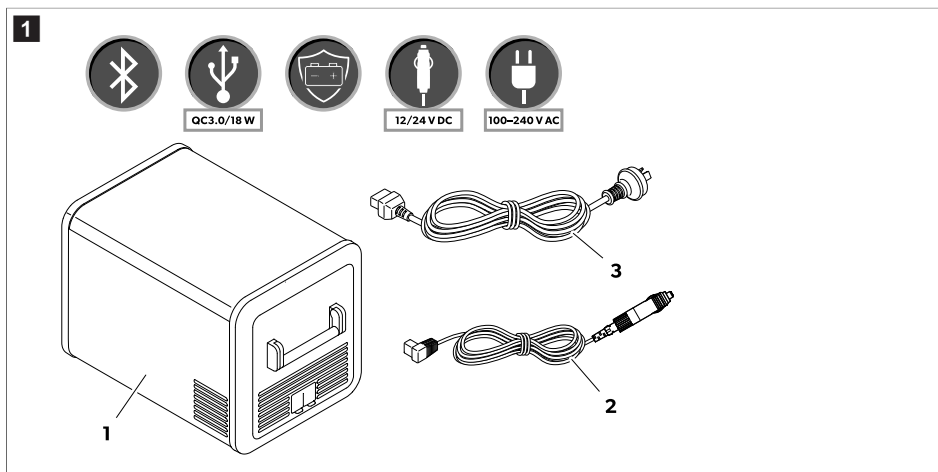


Warning! Risk of fire / Flammable materials



Notice! Keep away from rain

## 5 Scope of delivery



Item in  Fig. 1 on page 6	Quantity	Description
1	1	Portable fridge
2	1	DC connection cable
3	1	AC connection cable

## 6 Accessories

Available as accessory (not included in scope of delivery):

Designation	Ref. no.	Model
<b>Protective cover</b>		
PC25	9620012808	CFX5 25
PC35	9620012806	CFX5 35
PC45	9620012805	CFX5 45
PC55	9620012810	CFX5 55
		CFX5 55IM
PC75	9620012811	CFX5 75DZ
PC95	9620012807	CFX5 95DZ
<b>Fridge slide</b>		
SLD53545U	9620012454	CFX5 35

Designation	Ref. no.	Model
		CFX5 45
SLD55U	9620012455	CFX5 55
		CFX5 55IM
SLD75U	9620012456	CFX5 75DZ
SLD95100U	9620012457	CFX5 95DZ
<b>Quick fixing kit</b>		
QFK25	9600000166	CFX5 25
QFK3545	9600029599	CFX5 35
		CFX5 45
Dometic Anderson cable ANDC-DC	9620012862	suits all models
Hardwiring Kit HWK-DC	9600024832	suits all models
Mobile Cooling app	–	suits all models

Note that the app may not be available in your country.

## 7 Intended use

The cooling device is suitable for cooling food. The cooling device is also suitable for use on vehicles.

The cooling device is designed to be operated from a DC on-board power supply of a vehicle or boat, from a DC auxiliary battery or from an AC power supply.

The cooling device is suitable for camping or other similar recreational uses.

The cooling device is intended to be used in household and similar applications such as:

- Staff kitchen areas in shops, offices and other working environments
- Farm houses
- Clients in hotels, motels and other residential type environments
- Bed and breakfast type environments
- Catering and similar non-retail applications

This product is only suitable for the intended purpose and application in accordance with these instructions.

This manual provides information that is necessary for proper installation and/or operation of the product. Poor installation and/or improper operation or maintenance will result in unsatisfactory performance and a possible failure.

The manufacturer accepts no liability for any injury or damage to the product resulting from:

- Incorrect installation, assembly or connection, including excess voltage
- Incorrect maintenance or use of spare parts other than original spare parts provided by the manufacturer
- Alterations to the product without express permission from the manufacturer
- Use for purposes other than those described in this manual

Dometic reserves the right to change product appearance and product specifications.

## 8 Technical description

A low maintenance refrigerant circuit with compressor provides the cooling. The generous insulation and the powerful compressor ensure efficient and fast cooling.

The cooling device is portable.

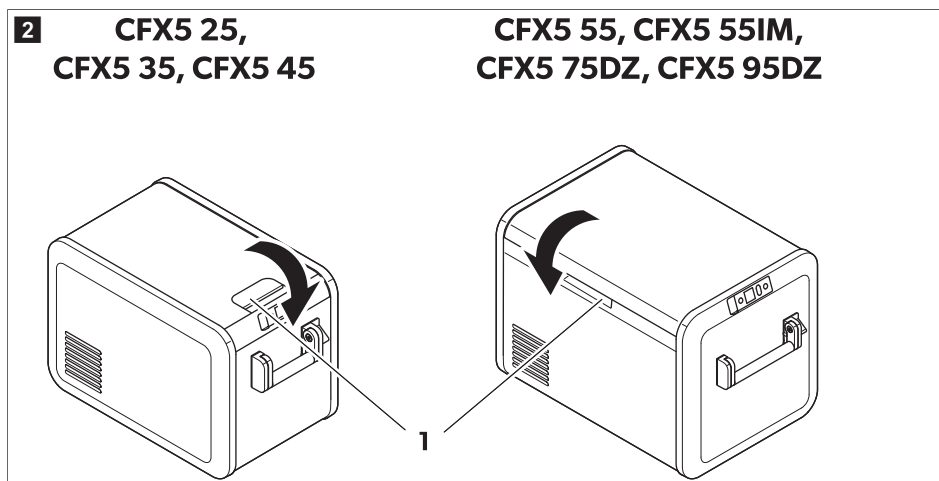
The cooling device can withstand a short-term inclination of 30°, for example on boats.

### 8.1 Scope of functions

- Power supply with priority circuit for connecting to the AC power supply
- Three-level battery monitor to protect the vehicle battery (switches off automatically at low battery voltage)
- Display with temperature readings in both °C and °F
- Adjustable temperature setting in 1 °C (1 °F) increments for precise control
- Integrated Bluetooth® for remote control via an app
- Foldable carry handles
- USB port for charging portable devices such as mobile phones
- Removable wire basket
- Integrated bottle opener
- **CFX5 55IM only:** Ice maker

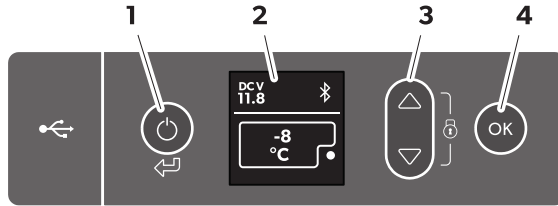
### 8.2 Operating and display elements

Lid latches (  Fig. 2 on page 8)

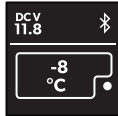


Operating panel (  Fig. 3 on page 9)

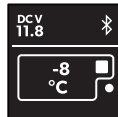
3



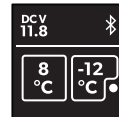
CFX5 25, CFX5 35,  
CFX5 45, CFX5 55



CFX5 55 IM

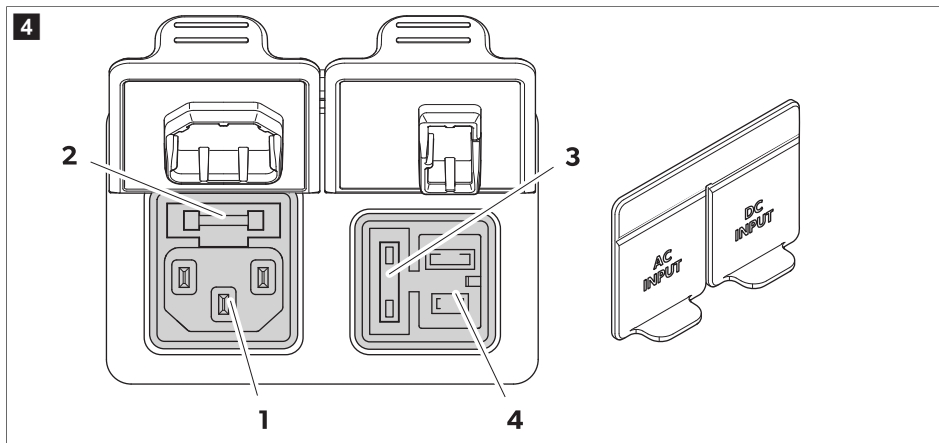


CFX5 75DZ, CFX5 95DZ



Item	Description	Explanation
1		Switches the cooling device on when the button is pressed briefly Switches the cooling device off when the button is pressed for three seconds Returns to the previous menu
2	Display	<b>AC</b> : AC power supply is connected <b>DCV</b> : DC power supply is connected ⌘: Bluetooth® is activated 🔒: Display is locked ●: Compressor is working ■: Ice maker is working (CFX5 55IM only)
3		Press  to navigate upwards or to increase the selected value. Press  to navigate downwards or to decrease the selected value. Press  and  simultaneously for 3 s to lock or unlock the display.
4		Press to select a menu or to save the selected value.

Connection sockets ( Fig. 4 on page 10)



Item	Description
1	Connection socket for AC voltage supply
2	AC fuse holder
3	DC fuse cover
4	Connection socket for DC voltage supply

## 9 Before first use



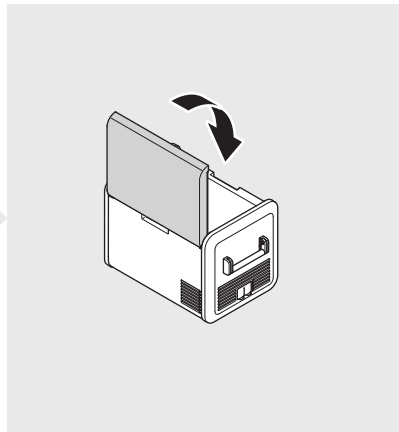
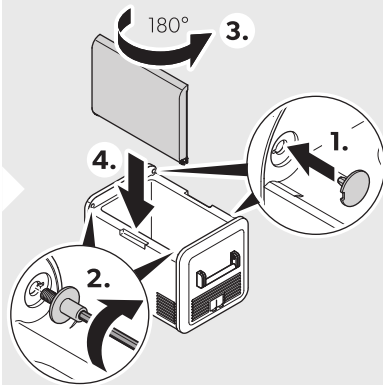
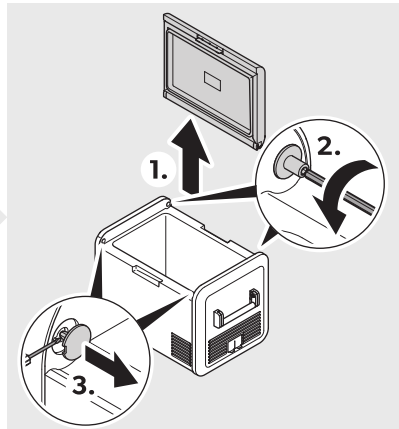
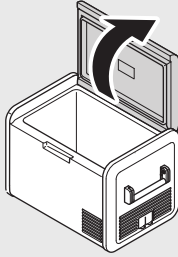
**NOTE** Before starting the cooling device for the first time, clean it inside and outside with a damp cloth for hygienic reasons (see Cleaning and maintenance on page 26).

## Reversing the lid opening

To reverse the lid opening, proceed as shown:

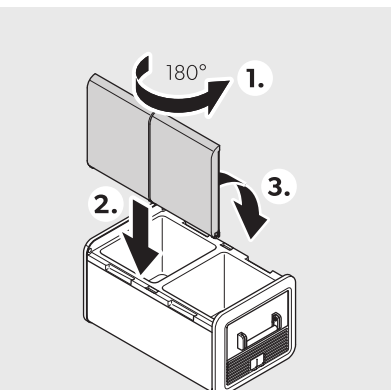
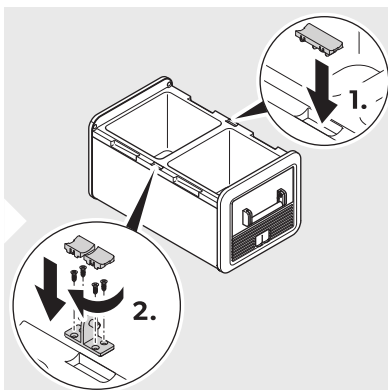
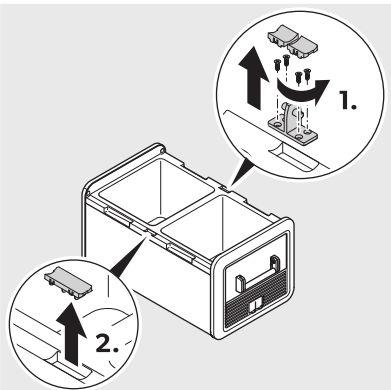
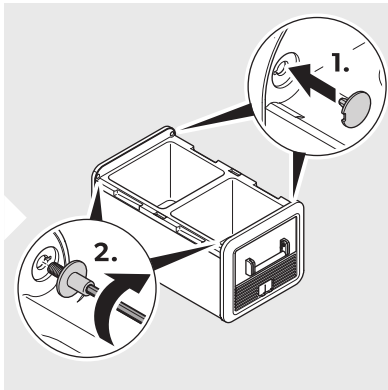
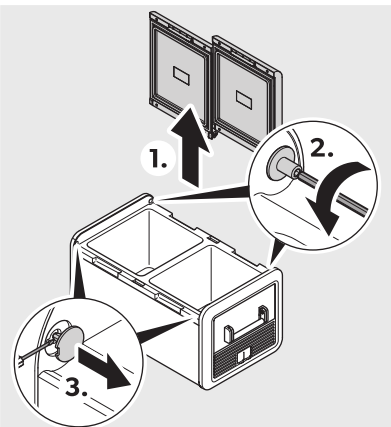
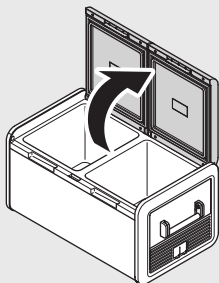
> **CFX5 55, CFX5 55IM**

5



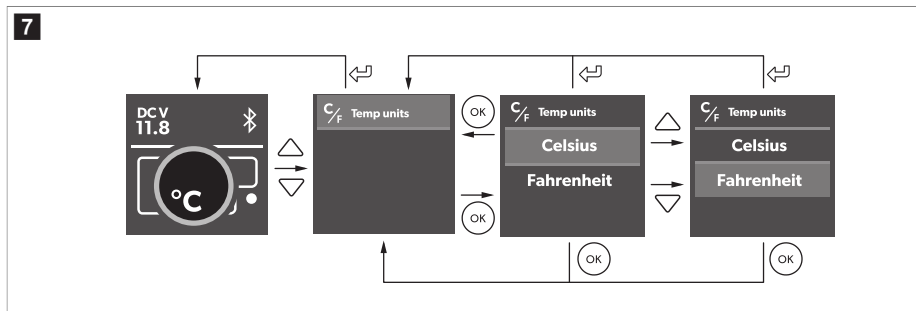
> CFX5 75DZ, CFX5 95DZ

6



## Selecting the temperature units

- > Select the temperature as shown.



## 10 Operation

### 10.1 Avoiding food waste

To avoid food waste, note the following:

- > Keep temperature fluctuation as low as possible. Only open the cooling device as often and for as long as necessary. Store the foodstuff in such a way that the air can still circulate well.
- > Adjust the temperature to the quantity and type of the foodstuff.
- > Foodstuff can easily absorb or release odor or taste. Always store foodstuff covered or in closed containers/bottles.

### 10.2 Saving energy

- > Choose a well ventilated location which is protected from direct sunlight.
- > Allow warm food to cool down first before placing it in the cooling device to keep cool.
- > Do not open the cooling device more often than necessary.
- > Do not leave the cooling device open for longer than necessary.
- > If the cooling device has a basket: For optimal energy consumption, position the basket according to its position on delivery.
- > On a regularly basis, ensure the lid seal still fits properly.
- > Avoid unnecessarily low temperatures.

### 10.3 Connecting the cooling device

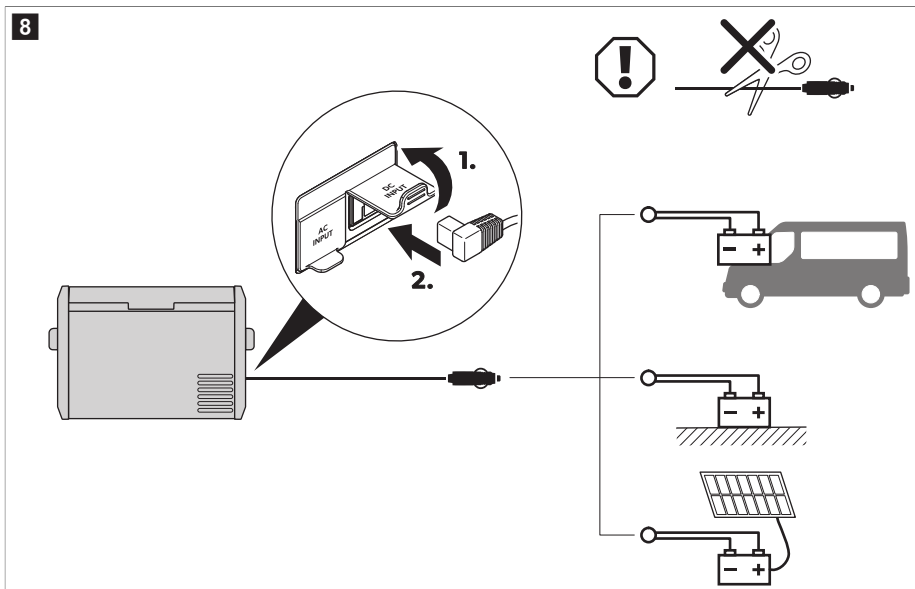
#### Connecting to a DC source



#### NOTICE! Damage hazard

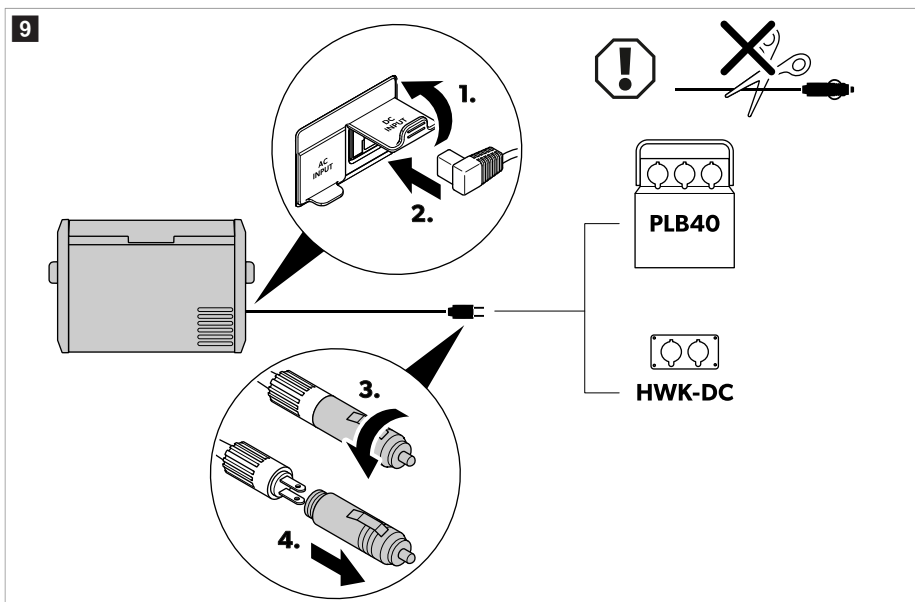
- > For protection of the device the DC cable supplied includes a fuse inside the plug. Do **not** remove the fused DC plug. Only use the DC cable supplied.

> Connect the device to a DC source as shown.



**Connecting to the Portable Battery Pack PLB40 or the Hardwiring Kit HWK-DC (accessories)**

> Connect the device to PLB40 or HWK-DC as shown.



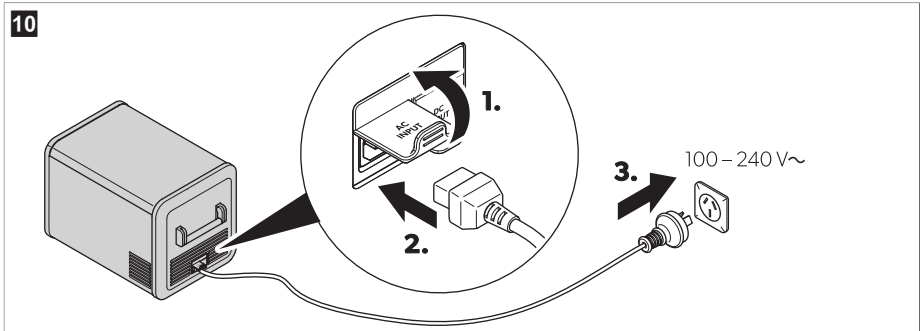
## Connecting to an AC power supply



### **DANGER! Electrocutation hazard**

- > Never handle plugs and switches with wet hands or if you are standing on a wet surface.
- > If necessary, seek advice from a trained technician.

- > Connect the device to an AC power supply as shown.



## 10.4 Using the battery monitor

The cooling device is equipped with a battery monitor that provides a 3-stage battery protection. The battery protection prevents excessive discharging when the cooling device is connected to a vehicle starting battery or maximises the use of a supply battery.

If the cooling device is operated when the vehicle ignition is switched off, the cooling device switches off automatically as soon as the supply voltage falls below a set level. The cooling device will switch back on once the battery has been recharged to the restart voltage level.



### **NOTICE! Damage hazard**

- > When switched off by the battery monitor, the battery will no longer be fully charged. Avoid starting repeatedly or operating current consumers without longer charging phases. Ensure that the battery is recharged.



**NOTE** When the cooling device is supplied by the starting battery, select the battery monitor mode "HIGH". If the cooling device is connected to a supply battery, the battery monitor mode "LOW" will suffice.

> Set the battery monitor as shown.

**11**

**Low**

**Medium/High**

		Low	Medium	High
 12 V	OFF	10.1 V	11.2 V	11.8 V
	ON	11.4 V	12.2 V	12.6 V
 24 V	OFF	21.5 V	24.1 V	24.6 V
	ON	23.0 V	25.3 V	26.2 V

### 10.5 Using the cooling device



**NOTICE! Risk of overheating**

> Ensure at all times that there is sufficient ventilation so that the heat that generated during operation can dissipate. Ensure that the ventilation slots are not covered. Ensure that the device is sufficiently far away from walls and other objects so that the air can circulate.



**NOTICE! Damage hazard from excessively low temperature**

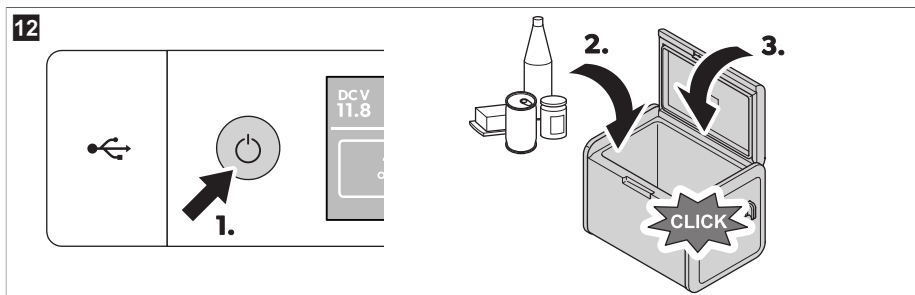
> Ensure that only those objects are placed in the cooling device that are intended to be cooled at the selected temperature.



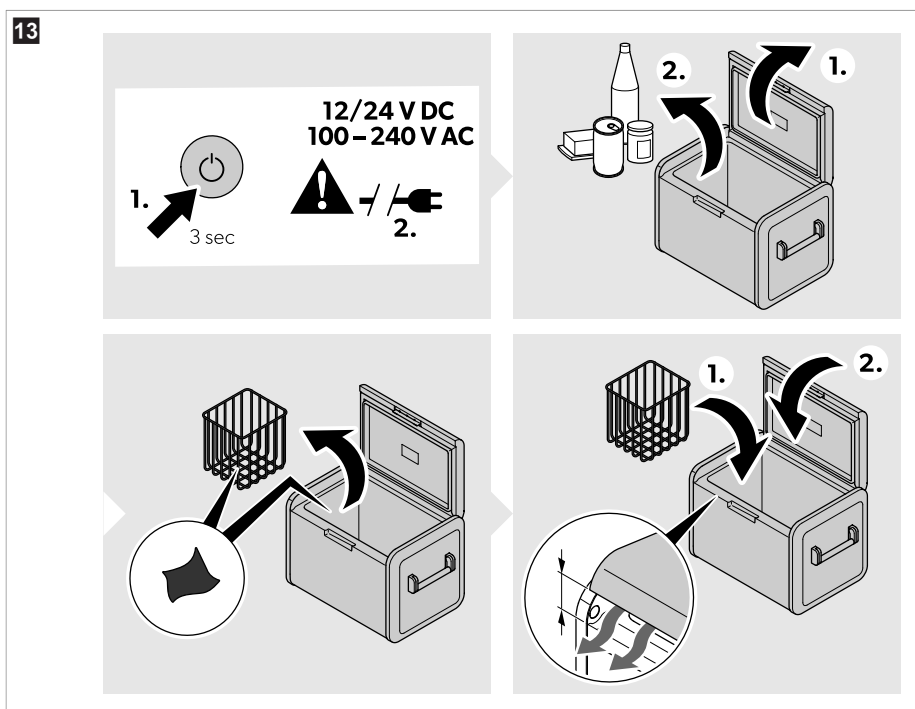
**NOTE** When operating with the battery:

- When voltage is  $< 8\text{ V}$  the display switches off automatically.
- When voltage is  $\geq 8\text{ V}$  and  $\leq 12\text{ V}$  the display may show “!ALERT - Voltage low” depending on the battery monitor mode setting.

> Switch the cooling device on:



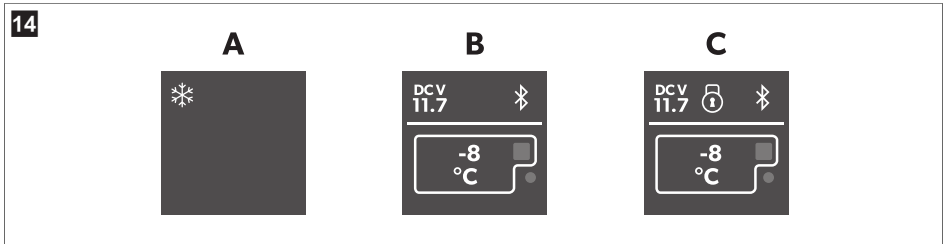
> Switch the cooling device off:



**NOTE** AC = AC MAINS

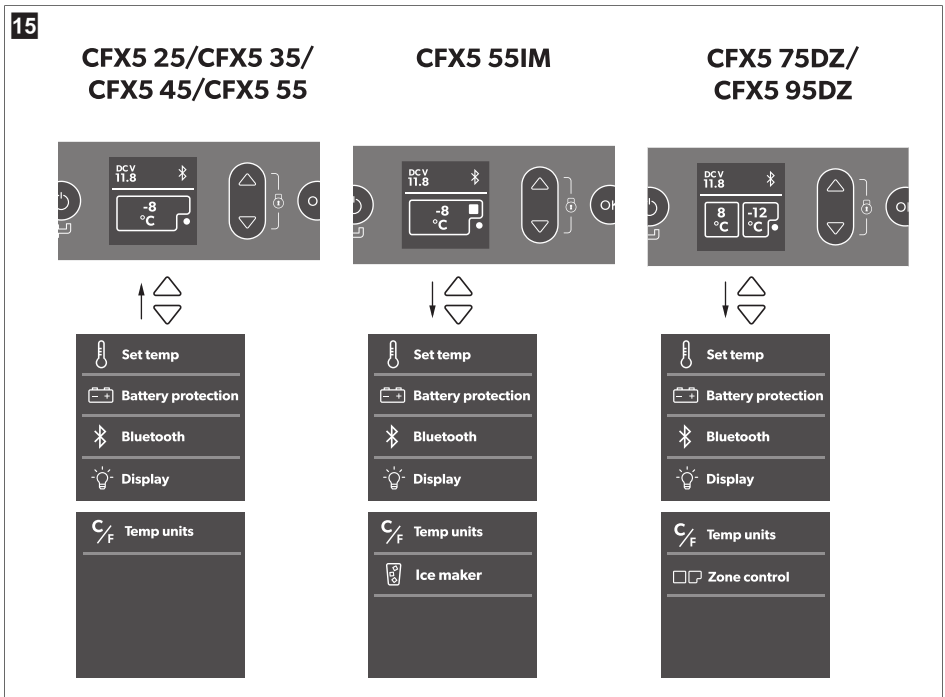
## 10.6 Using the display

### Display states



Item	Description
A	Stand by
B	Idle
C	Locked

### Display overview



### Navigating through the menus

The highlighted menu is selected.

- > Press  $\triangle$  to navigate upwards.
- > Press  $\nabla$  to navigate downwards.

### Choosing a menu

- > Press  $\odot$  to select the required menu.

### Changing settings

The highlighted value or setting is selected.

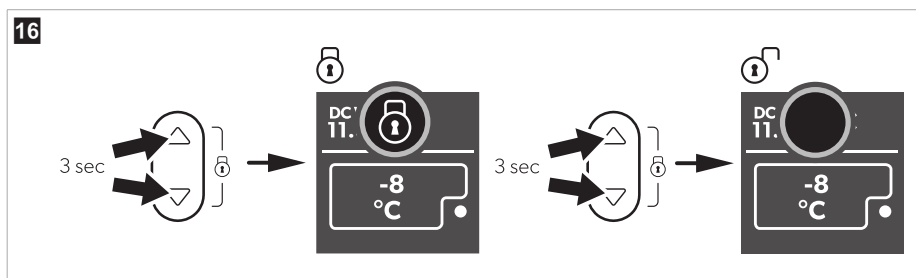
- > Press  $\triangle$  to increase the selected value or to choose the previous setting.
- > Press  $\nabla$  to decrease the selected value or to choose the next setting.

### Returning to the previous menu

- > Press  $\leftarrow$  to return to the previous menu without saving.

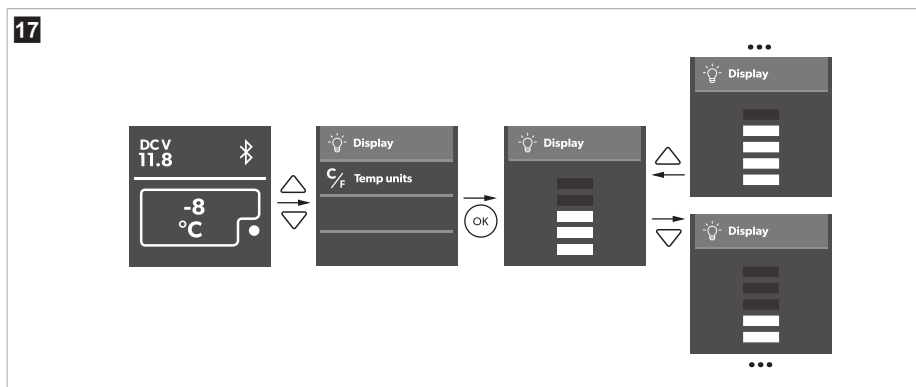
## 10.7 Locking/unlocking the display

- > Press  $\triangle$  and  $\nabla$  simultaneously for 3 s to lock or unlock the display.



## 10.8 Setting the display brightness

- > Set the display brightness as shown.

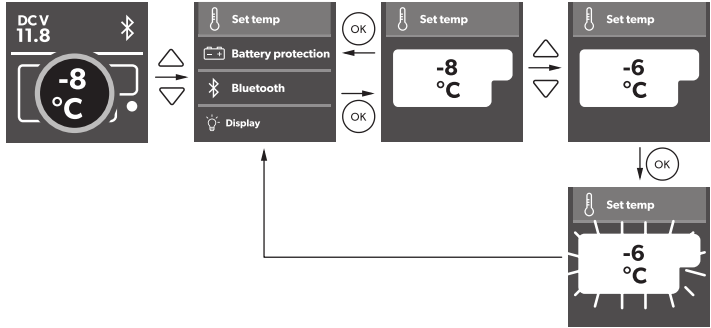


### 10.9 Setting the temperature

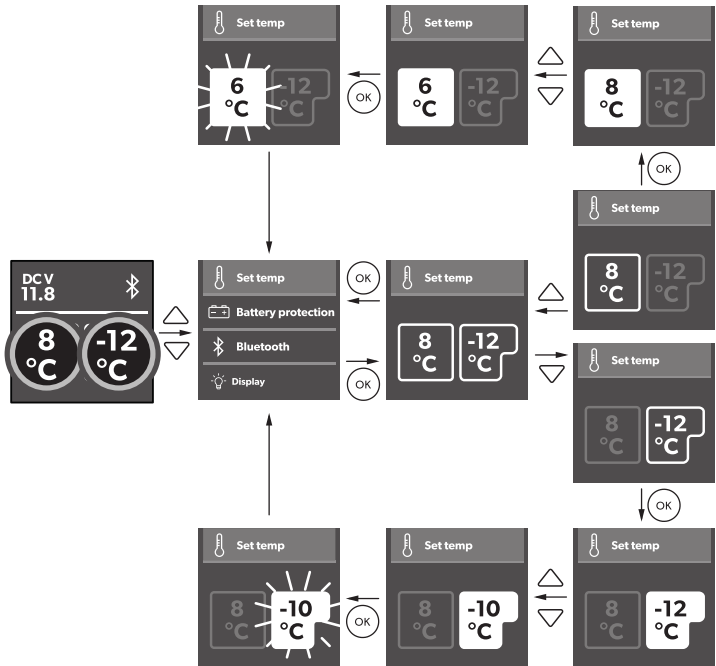
> Set the temperature as shown.

18

#### CFX5 25/CFX5 35/CFX5 45/CFX5 55/CFX5 55IM



#### CFX5 75DZ/CFX5 95DZ



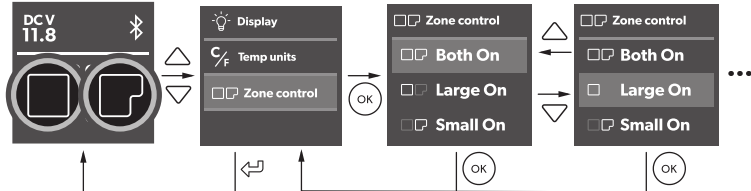
## 10.10 Switching a compartment off or on (dual zone devices only)

You can activate each zone individually or both of them.

- > Activate or deactivate the zones as shown.

19

### CFX5 75DZ/CFX5 95DZ



## 10.11 Using the ice maker (CFX5 55IM only)



### NOTE

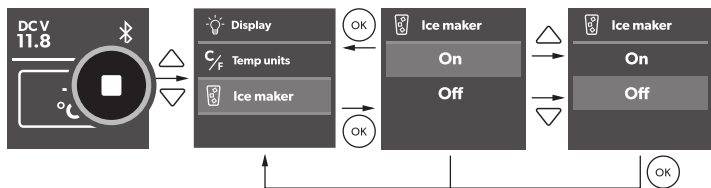
- > Independent of the main compartment's temperature setting, the ice maker zone is designed for making ice cubes if the ice maker is switched on.
- > The cooling device's energy consumption increases with ice maker on. Therefore you should switch off the ice maker if it is not needed.
- > The factory setting for the ice maker is OFF.

Tips for using the ice maker

- The ice maker makes ice fast for a number of hours after switching on and then automatically goes into an ice maintenance mode to reduce energy consumption. If multiple batches of ice are required as quickly as possible, switching the ice maker off and back on will set it back into fast ice making mode. Repeat as required.
  - Low freezer temperature settings in the main compartment may not be maintained in high ambient temperature conditions with the ice maker switched on.
- > To turn the ice maker on or off proceed as shown:

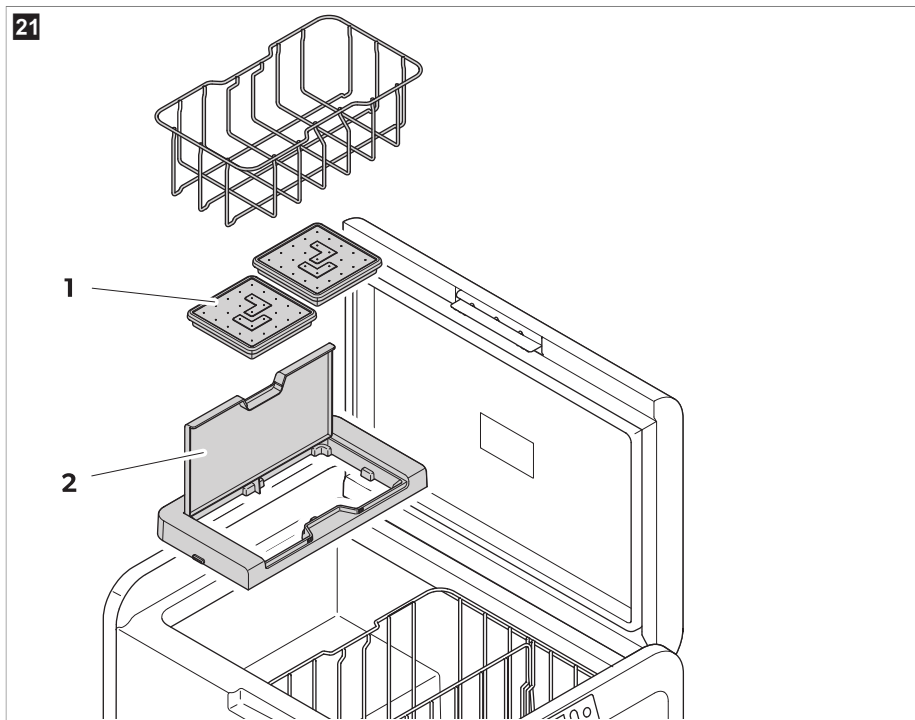
20

### CFX5 55 IM



### Filling the ice trays with water

- > Remove the ice trays (  Fig. 21 on page 22 1) from the ice maker housing (  Fig. 21 on page 22 2).



### Removing the ice cubes



#### NOTE

- > Removal may require additional force using two hands in high humidity conditions which may create an ice bond underneath the ice trays.

1. Open the ice maker housing lid and lift under the front of the ice trays.
2. Remove the ice tray covers and twist trays to release the ice cubes.

### Removing the ice maker housing

The ice maker housing can be removed for cleaning or when not in use to increase usable space inside the cooling device.

- > Lift the housing at one end until the lug unclips, then remove.
- > Reverse procedure for re-fit, pushing down on lugs to snap into position.

### Cleaning and drying the ice maker

- > When not in use clean and dry the ice trays and inside the ice maker housing to prevent mould.
- > After extended periods of non-use clean the inside of the ice trays with a mild dish washing solution and rinse with clean water prior to use.

## 10.12 Using Bluetooth®

### Downloading the app

The cooling device can be monitored and controlled via Bluetooth® using an app that you can install on a compatible device.



Download the app.

### Setting the Bluetooth® signal and connecting to the app

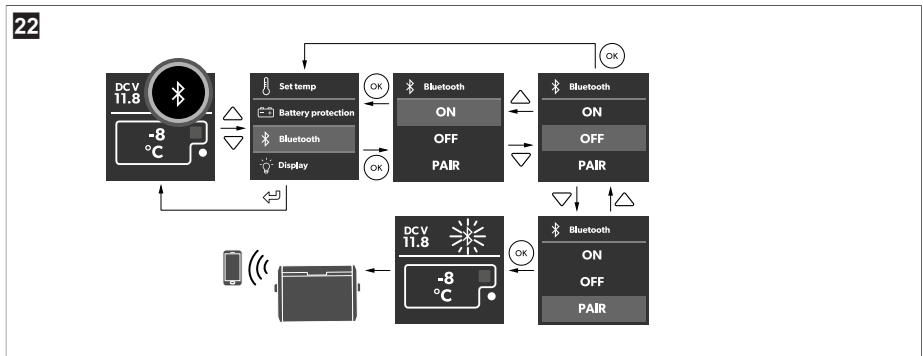
The cooling device can be monitored and controlled via Bluetooth®. To do so pair the cooling device with your Bluetooth® device.



#### NOTE

- Pairing must be done within the app, not in device settings.
- There is no password required for Bluetooth® connection.

> Set the Bluetooth® signal and connect the app as shown.



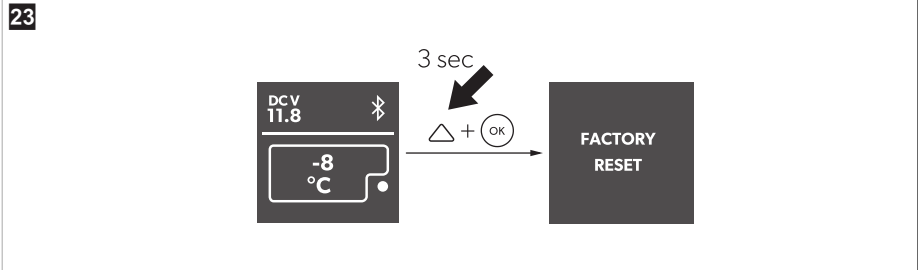
### Operating Bluetooth®

- > Follow the instructions in the app.
- ✓ The Bluetooth® lights up when the cooling device is connected.

## 10.13 Resetting to factory settings

The reset function changes all display menu and app fields to the original factory settings.

- > Reset the device to factory settings as shown.



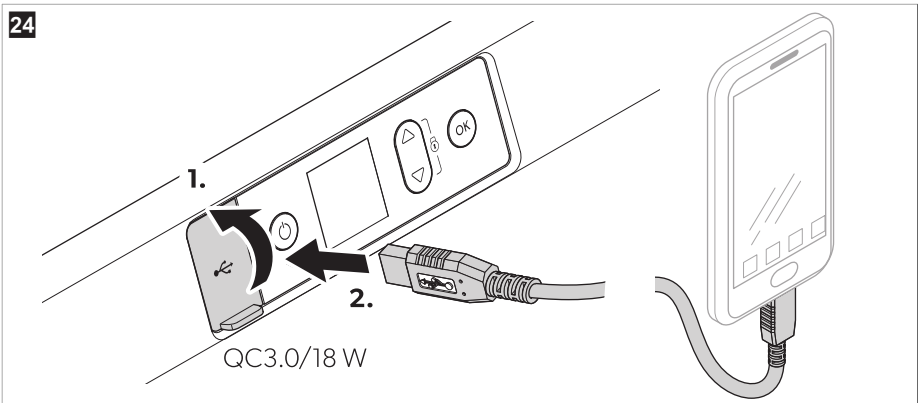
### 10.14 USB port for power supply

The USB port allows you to charge small devices like mobile phones and mp3 players.



**NOTE** Ensure that any small device connected to the USB port is compatible with 5 V/2.5 A operation.

- > Use the USB port as shown.



### 10.15 Defrosting the cooling device

Humidity can form frost in the interior of the cooling device or on the evaporator. This reduces the cooling capacity.



**NOTICE! Damage hazard**

- > Never use hard or pointed tools to remove ice or to loosen objects which have frozen in place.

To defrost the cooling device proceed as follows:

1. Remove the contents of the cooling device.
2. If necessary, place the contents in another cooling device to keep them cold.
3. Switch off the cooling device.
4. Leave the lid open.


5. Wipe off defrosted water.

### 10.16 Replacing the AC fuse




#### **DANGER! Electrocutation hazard**

- > Disconnect the power supply and the connection cable before you replace the device fuse.

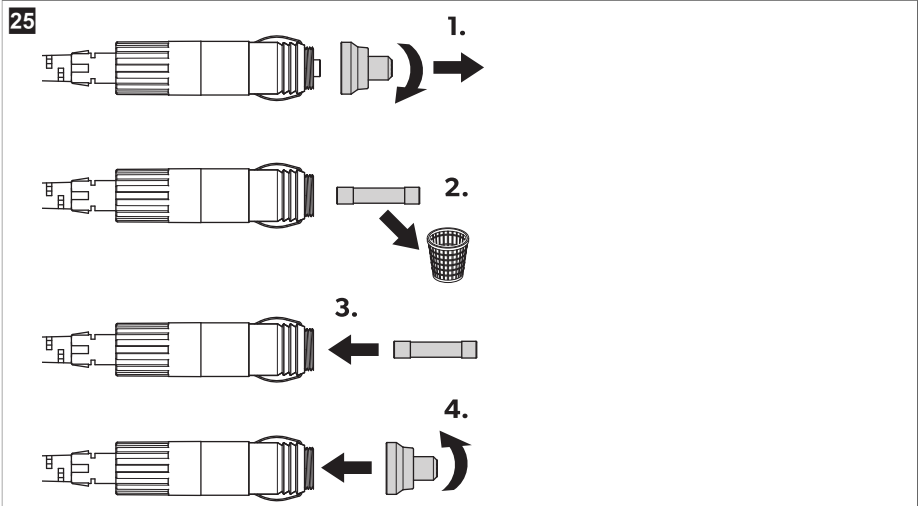
1. Disconnect the power supply to the device.
2. Remove the connection cable.
3. Pry out the fuse insert (  Fig. 4 on page 10 2) with a screwdriver.
4. Replace the defective glass fuse with a new one of the same type and rating (Fast acting, 4 A , 250 V).
5. Press the fuse insert back into the housing.
6. Reconnect the power supply to the device.

### 10.17 Replacing the DC fuse

1. Disconnect the power supply to the cooling device.
2. Pry out the fuse cover (  Fig. 4 on page 10 3) with a screwdriver.
3. Reverse the fuse cover and use hook to remove the defective blade fuse.
4. Push in a new fuse of the same type and rating.
  - Single zone devices: 10 A
  - Dual zone devices: 15 A
5. Re-fit the fuse cover.
6. Reconnect the power supply to the cooling device.

### 10.18 Replacing the DC plug fuse

- > Replace the defective fuse with a new fuse of the same type and rating as shown.



- Single zone devices: 10 A
- Dual zone devices: 15 A

### 10.19 Replacing the light PCB



**NOTICE! Damage hazard**

- > The lamp can only be replaced by the manufacturer, a service agent, or similarly qualified person to avoid hazard.

## 11 Cleaning and maintenance



**CAUTION! Electrocutation hazard**

- > Ensure that the cooling device is disconnected from the power supply before any cleaning or maintenance work.



**NOTICE! Damage hazard**

- > Never clean the cooling device under running water or in dish water.
  - > Do not use abrasive cleaning agents or hard objects during cleaning.
- > Occasionally clean the device interior and exterior with a damp cloth.
  - > Ensure that the air inlet and outlet vents on the cooling device are free of any dust and dirt, so that heat can be released and the cooling device is not damaged.

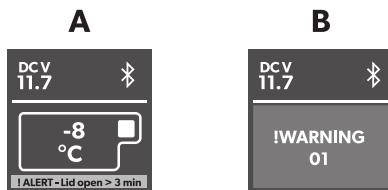
## 12 Troubleshooting

Problem	Possible cause	Suggested remedy
The device does not function (DC mode, ignition on).	No voltage was detected in the DC power outlet	> In most vehicles the ignition must be turned on before power will be supplied to the DC power outlet.
	The DC outlet is dirty. This results in a poor electrical contact.	> If the plug of the device becomes very warm in the DC outlet, either the DC outlet must be cleaned or the plug has not been assembled correctly.
	The fuse of the DC plug has blown.	> Replace the defective fuse in the DC plug, see Replacing the DC plug fuse on page 26.
	The device DC fuse has blown.	> Replace the DC device fuse, see Replacing the DC fuse on page 25.
	The vehicle fuse has blown.	> Replace the vehicle's DC outlet fuse. Refer to your vehicle's operating manual.
Device does not function (AC mode).	No voltage was detected in the AC voltage socket.	> Try using another plug outlet.
	The device AC fuse has blown.	> Replace the AC device fuse, see Replacing the AC fuse on page 25.
	The integrated AC adapter is defective.	This can only be repaired by an authorized repair center.
The display does not respond to keystrokes.	The display is locked.	> Unlock the display, see Locking/unlocking the display on page 19.
The app cannot control the device.	Bluetooth® is not connected.	> Connect to Bluetooth® (see Setting the Bluetooth signal and connecting to the app on page 23).
The display shows an alert message or warning code.	–	> See the following tables.

### 12.1 Alert messages

Example:

26



Alert message	Description	Possible cause	Suggested remedy
!ALERT - Lid open > 3 min	Lid open more than 3 min	Lid not fully latched	Check lid latched fully
		Internal fault	Authorized repair center inspection required
!ALERT - Voltage low	The device has stopped working on DC due to low voltage	Insufficient supply voltage	Check voltage drop from battery to power outlet and increase wiring gauge if necessary
		Battery voltage is too low	Test the battery and charge as needed
		Battery protection is set too high	Select a lower battery protection setting
	The device has stopped working on DC due to abnormally high voltage > 31.5 V (unlikely event – for electronics protection only – uses same alert message as low voltage above)	Wrong DC supply voltage specification	Ensure DC supply voltage specification matches product data plate
		Faulty supply voltage	Check DC voltage supply and repair or replace if faulty
		Internal fault	Authorized repair center inspection required

## 12.2 Warning codes

Example: Fig. 26 on page 28

Warning code	Fault	Possible cause	Suggested remedy
!WARNING 01	NTC open circuit SZ & DZ LARGE	Internal fault	Authorized repair center inspection required
!WARNING 02	NTC short circuit SZ & DZ LARGE		
!WARNING 11	NTC open circuit DZ SMALL		
!WARNING 12	NTC short circuit DZ SMALL		

Warning code	Fault	Possible cause	Suggested remedy
IWARNING 03/43	Communication error		Power off the device for at least 1 min , then restart. If the problem persists, authorized repair center inspection is required.
IWARNING 09	DZ valve or Ice maker valve faulty		
IWARNING 32	Fan over-current	Internal fault	Power off the device for at least 5 min , then restart. If the problem persists, authorized repair center inspection is required.
IWARNING 33	Compressor start fail		
IWARNING 34	Compressor speed low	<ul style="list-style-type: none"> <li>• High ambient temperature</li> <li>• Air vent blocked or insufficient clearance</li> <li>• Internal fault</li> </ul>	<ul style="list-style-type: none"> <li>• Power off the device for at least 30 min or move to a cooler location, then restart.</li> <li>• Clear the vents</li> <li>• Authorized repair center inspection required</li> </ul>
IWARNING 35	Controller over-temperature		

## 13 Warranty

Dometic Australia Pty Ltd ABN 62086366305 / Dometic New Zealand Limited

As the purchaser of a new Dometic product you are entitled to full warranty cover under the conditions herein.

If the product does not work as it should, please contact an authorized Dometic Service Agent in your country (see [dometic.com/dealer](http://dometic.com/dealer)) or seek advice from your original place of purchase.

The warranty applicable to your **CFX5** fridge/freezer product is 5 years from the date of purchase.

For repair and warranty processing, please include the following documents when you send in the device:

- A copy of the receipt with purchasing date
- A reason for the claim or description of the fault

Note that self-repair or nonprofessional repair can have safety consequences and might void the warranty.

### What does the warranty cover?

This product is intended for domestic use only. The manufacturer provides a voluntary warranty against defects to the original purchaser.

The warranty covers all reasonable normal use of the product and applies to any defect in design or manufacture which results in the product failing to perform substantially as described in authorized Dometic advertising or literature.

We will either repair or replace the product at our discretion providing that the fault is found to have been caused by a design or manufacturing defect and not misuse, tampering or lack of maintenance.

### What does the warranty not cover?

- Damage, loss or failure caused by external or environmental influences
- Any damage resulting from improper use or lack of regular servicing
- Fuses, power supply cables, light bulbs
- Modifications carried out not approved in writing by Dometic or any loss caused by such modification
- Non-compliant installations or products not installed in line with the official manufacturer's instructions
- Incorrect setting – User/installer error created problems
- Damage loss or failure due to poor or incorrect power supply

- Costs of transportation to get the product to suitable service point unless prior approved by Dometic
- Damage in transit
- Travel and/or other expenses due to customer remote location
- Cosmetic issues which do not affect normal functionality of the product
- Except as required by law, any loss directly or indirectly associated with the product failing to operate

Dometic Australia and Dometic New Zealand reserve the right to change the warranty conditions at any time by public notice and by attaching a clear change of warranty terms and conditions notice to the product visible at time of purchase. No party other than Dometic Australia Pty Ltd or Dometic New Zealand Limited is authorized to change the terms or conditions of this warranty.

### **Australia only**

Our goods come with guarantees that cannot be excluded under the Australian Consumer Law. You are entitled to a replacement or refund for a major failure and for compensation for any other reasonably foreseeable loss or damage. You are also entitled to have the goods repaired or replaced if the goods fail to be of acceptable quality and the failure does not amount to a major failure. The benefits provided to you as the consumer by this warranty are in addition to other rights and remedies available to you under the law.

**CUSTOMER SUPPORT CENTER (AUS)**  
1800-21-21-21

### **New Zealand only**

This warranty policy is subject to the conditions and guarantees which are mandatory as implied by the Consumer Guarantees Act 1993(NZ).

**CUSTOMER SUPPORT CENTER (NZ)**  
09-622-1490

## **14 Disposal**



### **WARNING! Risk of child entrapment**

- > Before disposing of your old cooling device, dismantle the lid. Leave the baskets in place so that children may not easily climb inside.



Place the packaging material in the appropriate waste bin wherever possible. This separation is necessary, as packaging is a valuable resource and improper disposal may impact human health and the environment.



Recycling products with non-replaceable batteries, rechargeable batteries, or light sources:

- If the product contains any non-replaceable batteries, rechargeable batteries, or light sources, you don't have to remove them before disposal.
- If you wish to finally dispose of the product, ask your local recycling center or specialist dealer for details about how to do this in accordance with the applicable disposal regulations.

## **15 Technical data**



**NOTE** The minimum temperature shown in "Cooling capacity" may not be attained if the ambient temperature is above 32 °C .

Test/certificates:



	<b>CFX5 25</b>
Connection voltage	12 V $\equiv$ / 24 V $\equiv$ 100 V $\sim$ ... 240 V
Cooling capacity	20 °C ... -22 °C
Climate class	N, T
Volume	25 L
Ambient temperature	16 °C ... 43 °C
Frequency range	Bluetooth®/BLE: 2400 MHz ... 2483.5 MHz
RF output power	Bluetooth®: 11.23 dBm Bluetooth® LE: 11.23 dBm
Dimensions W x D x H (including handles)	342 mm x 569 mm x 420 mm
Weight	15.8 kg

	<b>CFX5 35</b>
Connection voltage	12 V $\equiv$ / 24 V $\equiv$ 100 V $\sim$ ... 240 V $\sim$
Cooling capacity	20 °C ... -22 °C
Climate class	N, T
Volume	36 L
Ambient temperature	16 °C ... 43 °C
Frequency range	Bluetooth®/BLE: 2400 MHz ... 2483.5 MHz
RF output power	Bluetooth®: 11.23 dBm Bluetooth® LE: 11.23 dBm
Dimensions W x D x H (including handles)	398 mm x 694 mm x 407 mm
Weight	19.6 kg

	<b>CFX5 45</b>
Connection voltage	12 V $\equiv$ / 24 V $\equiv$ 100 V $\sim$ ... 240 V $\sim$
Cooling capacity	20 °C ... -22 °C
Climate class	N, T
Volume	46 L
Ambient temperature	16 °C ... 43 °C
Frequency range	Bluetooth®/BLE: 2400 MHz ... 2483.5 MHz

	<b>CFX5 45</b>
RF output power	Bluetooth®: 11.23 dBm Bluetooth® LE: 11.23 dBm
Dimensions W x D x H (including handles)	398 mm × 694 mm × 476 mm
Weight	21.5 kg

	<b>CFX5 55</b>
Connection voltage	12 V $\overline{=}$ / 24 V $\overline{=}$ 100 V $\sim$ ... 240 V $\sim$
Cooling capacity	20 °C ... -22 °C
Climate class	N, T
Total volume	55 L
Ambient temperature	16 °C ... 43 °C
Frequency range	Bluetooth®/BLE: 2400 MHz ... 2483.5 MHz
RF output power	Bluetooth®: 11.23 dBm Bluetooth® LE: 11.23 dBm
Dimensions W x D x H (including handles)	720 mm × 455 mm × 480 mm
Weight	23.6 kg

	<b>CFX5 55IM</b>
Connection voltage	12 V $\overline{=}$ / 24 V $\overline{=}$ 100 V $\sim$ ... 240 V $\sim$
Cooling capacity	20 °C ... -22 °C
Climate class	N, T
Total volume	55 L
Ambient temperature	16 °C ... 43 °C
Frequency range	Bluetooth®/BLE: 2400 MHz ... 2483.5 MHz
RF output power	Bluetooth®: 11.23 dBm Bluetooth® LE: 11.23 dBm
Dimensions W x D x H (including handles)	720 mm × 455 mm × 480 mm
Weight	24.8 kg

	<b>CFX5 75DZ</b>
Connection voltage	12 V $\overline{=}$ / 24 V $\overline{=}$ 100 V $\sim$ ... 240 V $\sim$
Cooling capacity	20 °C ... -22 °C

	<b>CFX5 75DZ</b>
Climate class	N, T
Total volume	75 L (45 L / 30 L)
Ambient temperature	16 °C ... 43 °C
Frequency range	Bluetooth®/BLE: 2400 MHz ... 2483.5 MHz
RF output power	Bluetooth®: 11.23 dBm Bluetooth® LE: 11.23 dBm
Dimensions W x D x H (including handles)	892 mm × 495 mm × 472 mm
Weight	31.1 kg

	<b>CFX5 95DZ</b>
Connection voltage	12 V $\overline{=}$ / 24 V $\overline{=}$ 100 V $\sim$ ... 240 V $\sim$
Cooling capacity	20 °C ... -22 °C
Climate class	N, T
Total volume	94 L (55 L / 39 L)
Ambient temperature	16 °C ... 43 °C
Frequency range	Bluetooth®/BLE: 2400 MHz ... 2483.5 MHz
RF output power	Bluetooth®: 11.23 dBm Bluetooth® LE: 11.23 dBm
Dimensions W x D x H (including handles)	962 mm × 530 mm × 472 mm
Weight	33.3 kg





**dometic.com**

---

**YOUR LOCAL  
DEALER**

**[dometic.com/dealer](https://dometic.com/dealer)**

**YOUR LOCAL  
SUPPORT**

**[dometic.com/contact](https://dometic.com/contact)**

**YOUR LOCAL  
SALES OFFICE**

**[dometic.com/sales-offices](https://dometic.com/sales-offices)**

---